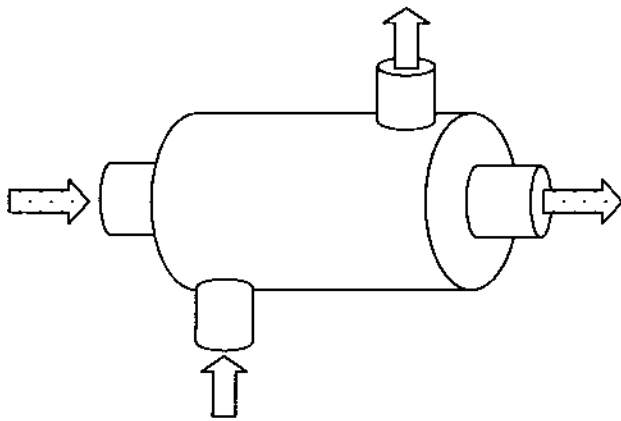
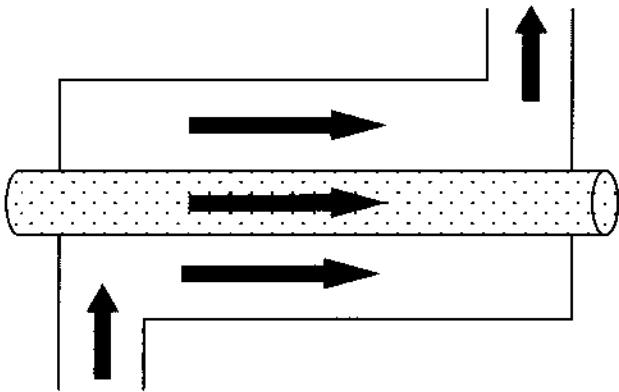
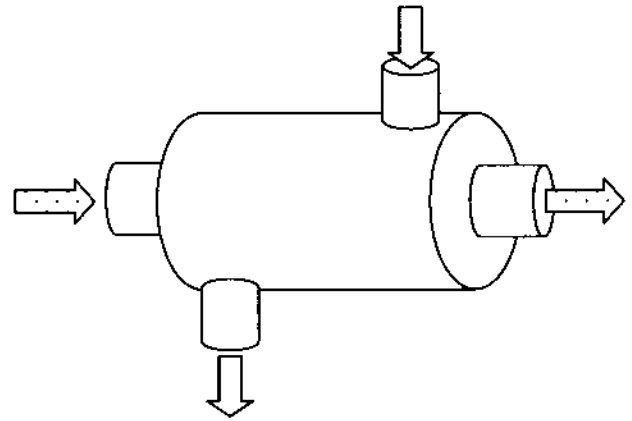
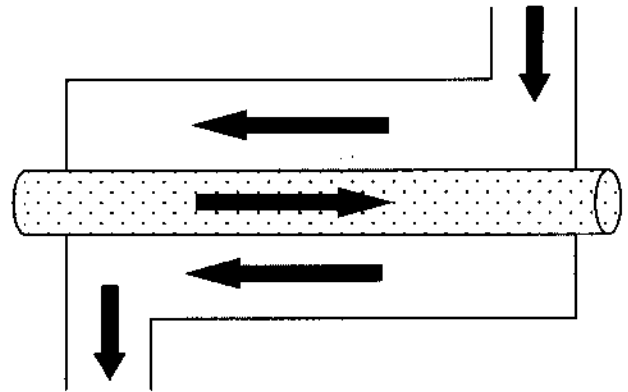


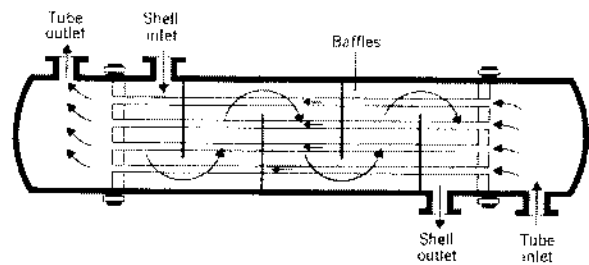
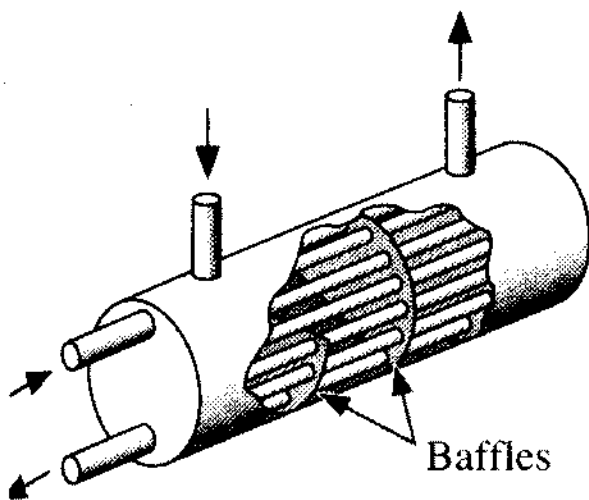
ME 1065  
Heat Exchangers



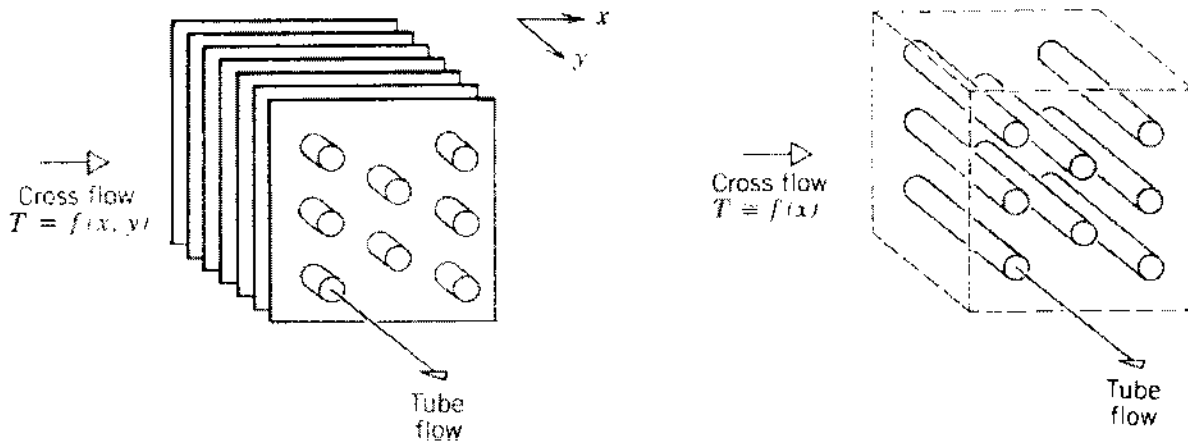
Parallel Flow, Concentric Tube Heat Exchanger



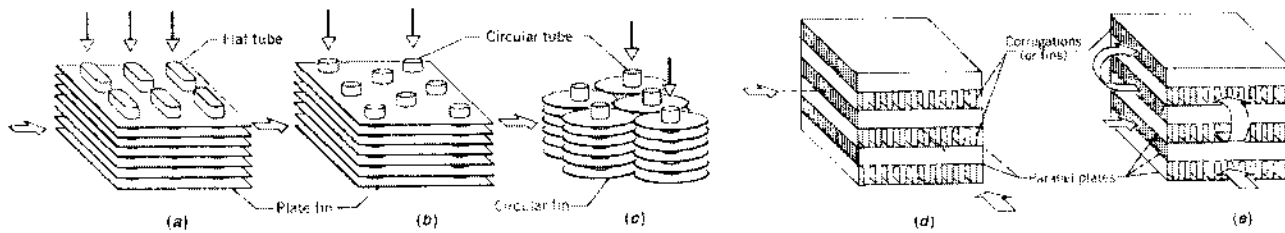
Counter Flow, Concentric Tube Heat Exchanger



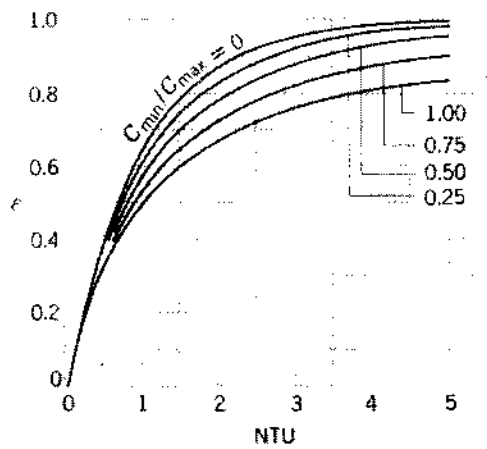
Shell and Tube Heat Exchangers



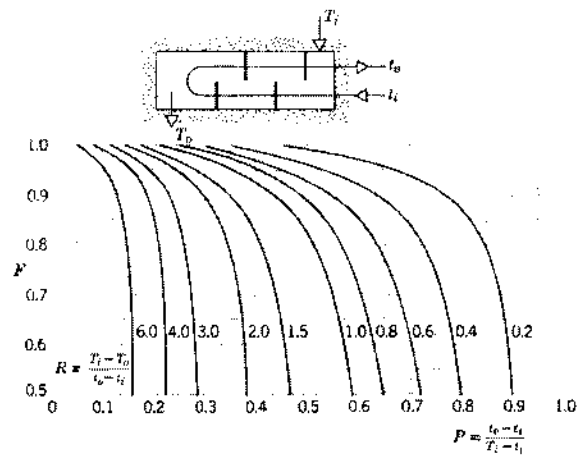
**Cross Flow Heat Exchangers**



**Compact Heat Exchangers**



**Effectiveness-NTU- $C_r$  Relationship for a Counterflow Heat Exchanger**



**Correction Factor for a One Shell 2N Tube Heat Exchanger**